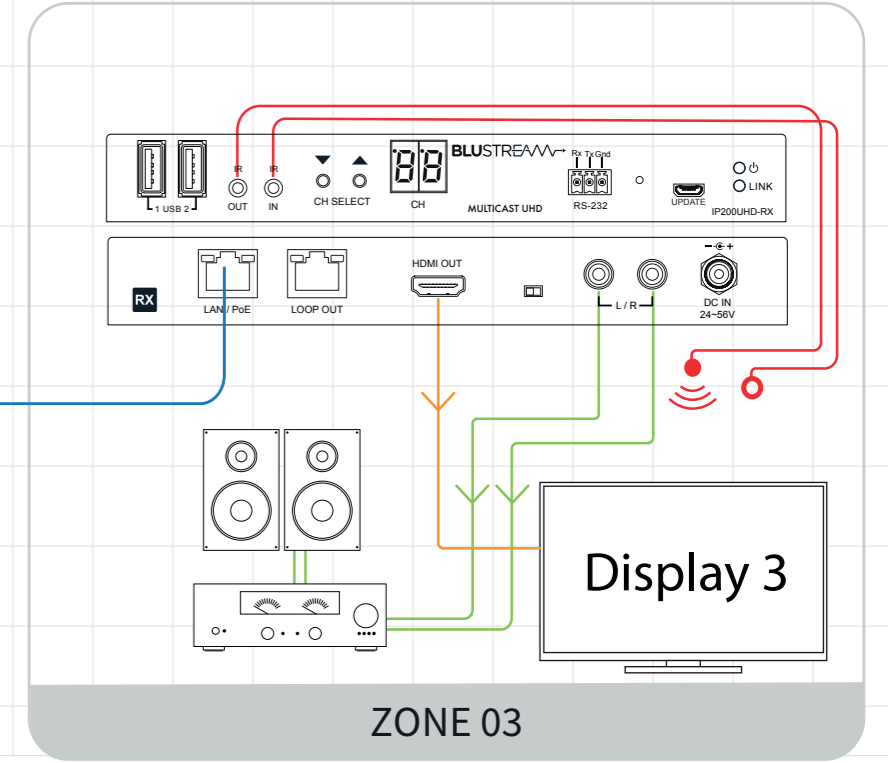
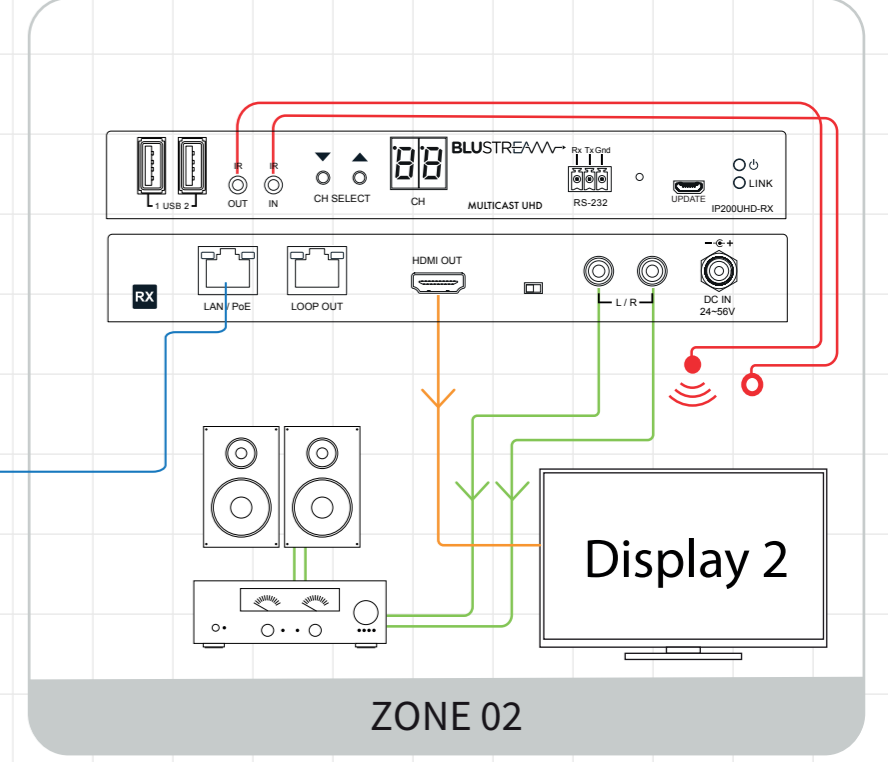
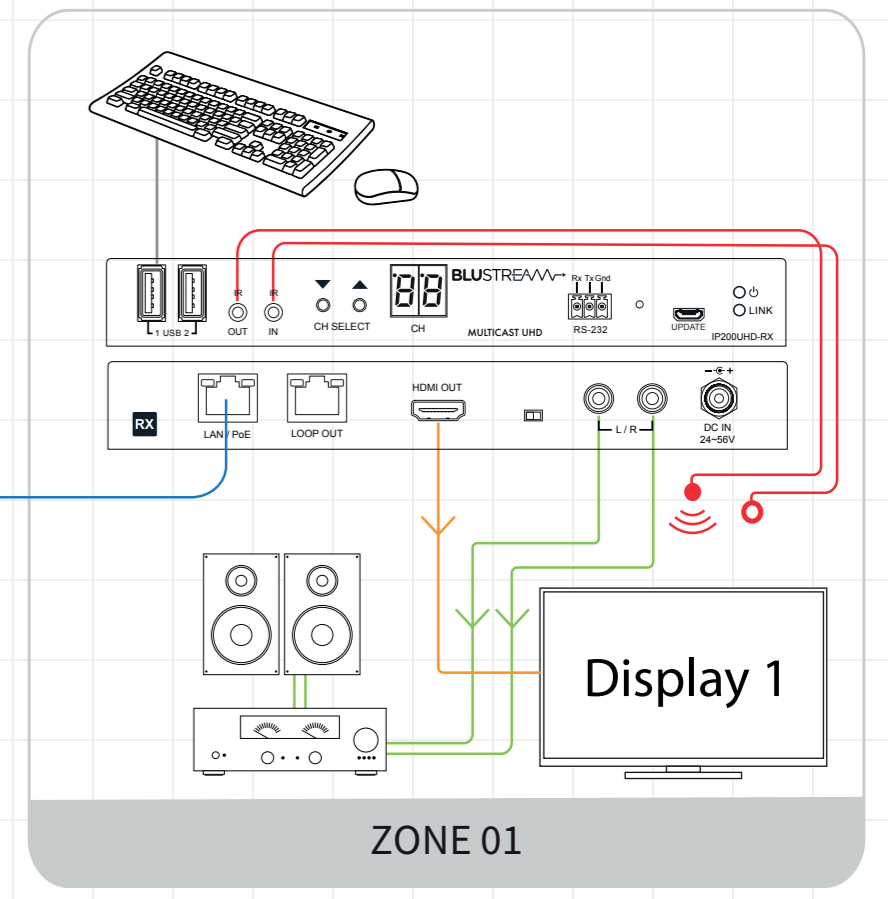
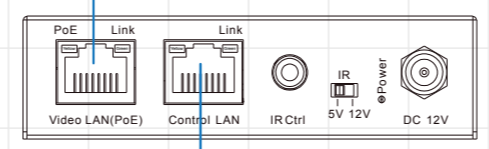
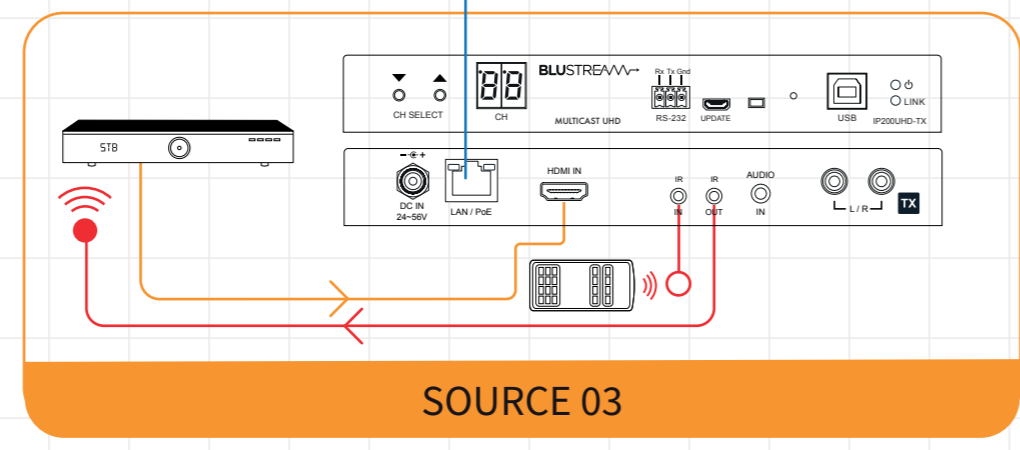
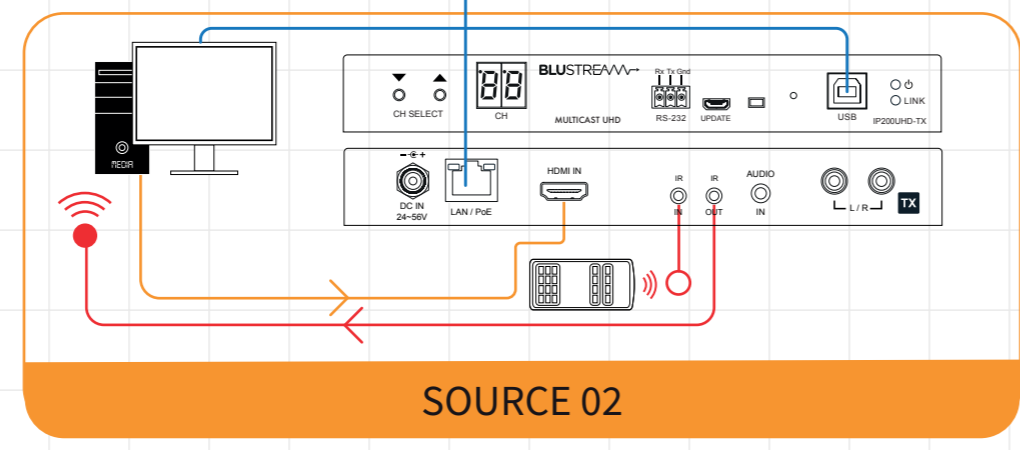
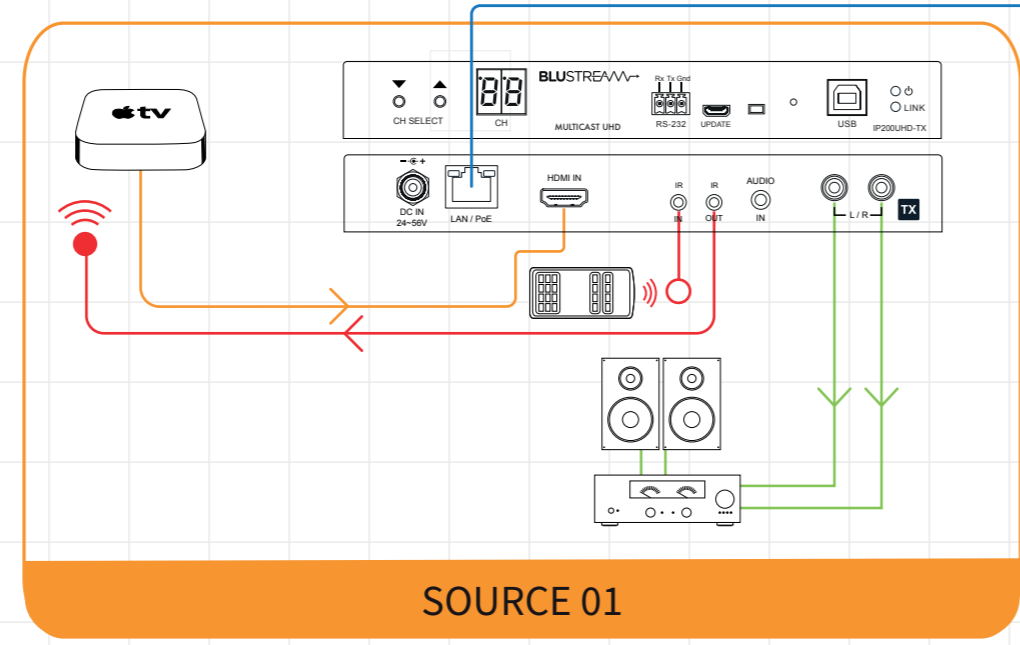
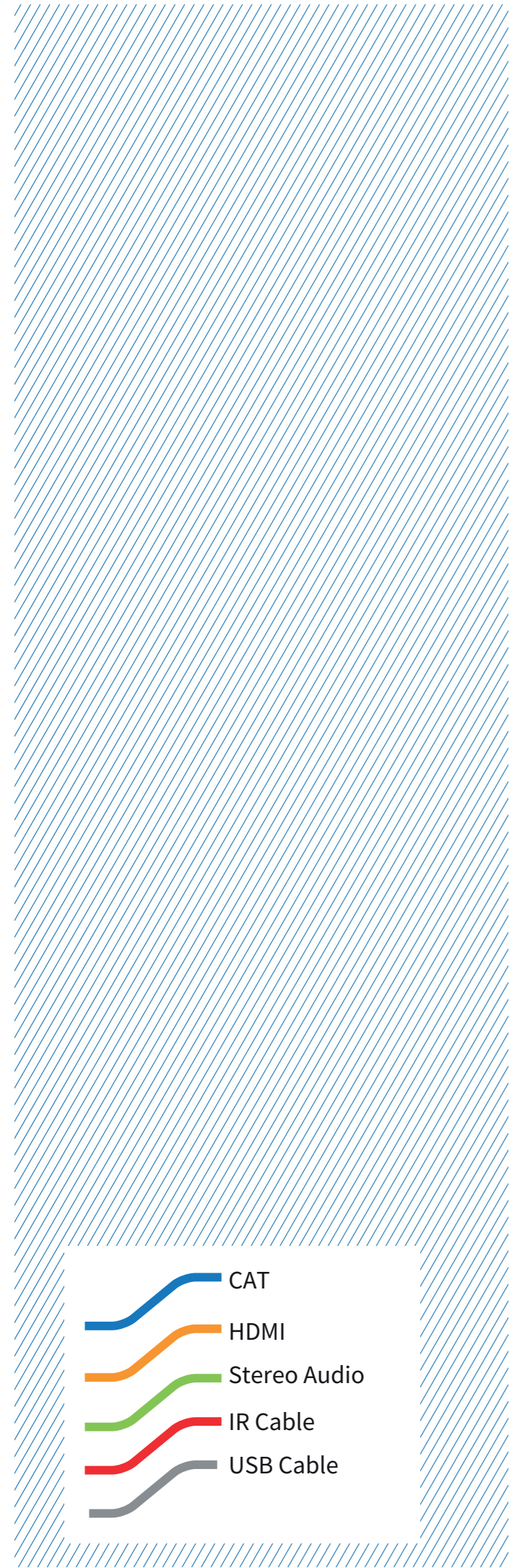


Example Schematic
IP200UHD TX/RX
3 x 3 Matrix Configuration



HDMI Over IP System Design – 3x3 Matrix configuration (Unlimited amount of configurations available)